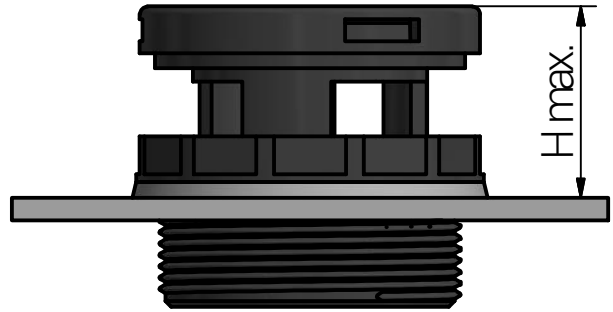
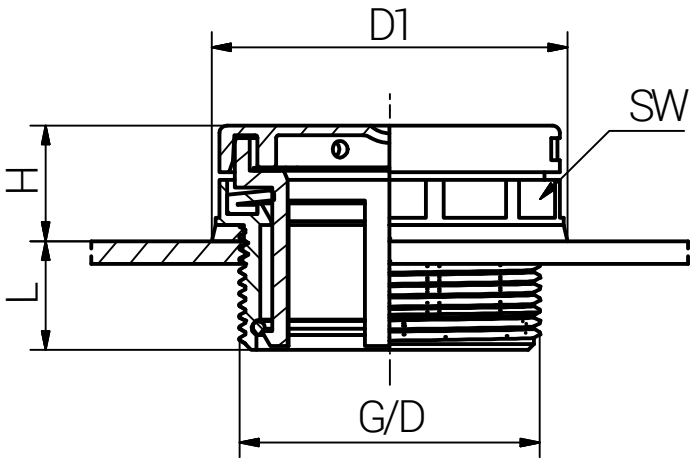
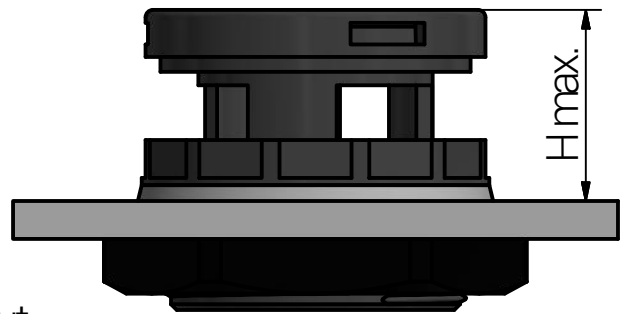
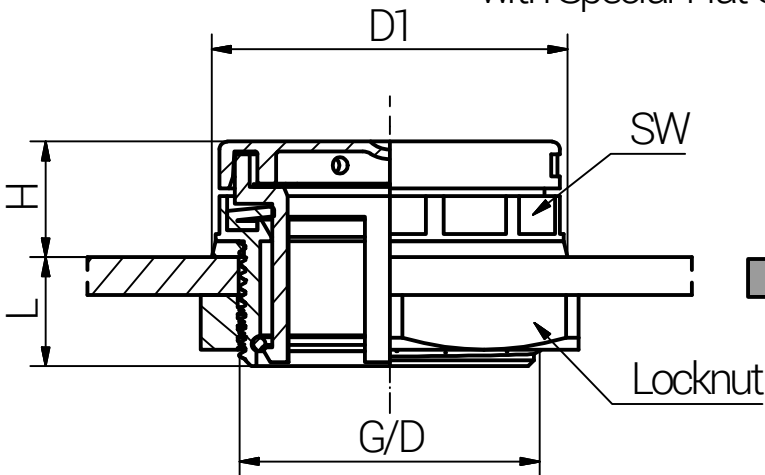


Mounting Instruction

Threaded Enclosure with Special-Flat Sealing Washer



Non Threaded Enclosure with Special-Flat Sealing Washer



Step	Assembly Steps (The installation should only be done by a qualified Electricians who are trained in the installation of cable glands.)
1	Mount the pressue balance element with the connection thread on the counterpart (e.g. electronic enclosure) and tighten until the washer fulfills its function. Over tightening may cause damage.

Article	Type of membrane	Air Flow l/h	Water Flow Rate l/h	Burst Pressure mbar	Air Flow after opening l/h	Thread G	SW (mm)	L (mm)	H (mm)	H max. (mm)	D1 (mm)	Non Threaded Enclosure D (mm)	Tightening Torque (Nm) TT
M40PLCT150	PTFE	400	> 150	150±50	540.000	M40x1,5	45	15,0	13,6	28,0	47,0	40 (0/+0,2)	5,0
M40PLCT350	PTFE	400	> 150	350±100	540.000	M40x1,5	45	15,0	13,6	28,0	47,0	40 (0/+0,2)	5,0



RST Rabe-System-Technik und Vertriebs-GmbH
Otto-Lilienthal-Strasse 19
49134 Wallenhorst
☎ +49 5407 8766-0
☎ +49 5407 8766-99
✉ info@rst.eu

Unless otherwise specified on the drawing:
Metric Thread = EN 60423
PG Thread = DIN 40430
NPT Thread = ANSI B1.20.1
Tolerance: DIN ISO 2768-m
All dimensions in mm

Abusively use, in particular reproduction and dissemination to third parties is not permitted. You can be punished by civil law. Technical changes are reserved.

		Date	Name
	Draw.	11.05.2021	SL
	Appr.	11.05.2021	KH
	Norm		1:1
	Scale:		
	Material:	Polyamide	
A	Hmax.	16.06.2022	SL
Status	Modification	Date	Name

<h1>SAFETY PBE Metrish</h1>	
Drawing-Nr.:	M40PLCTx50_SZM_TD_English
1	of 1
A4	V7