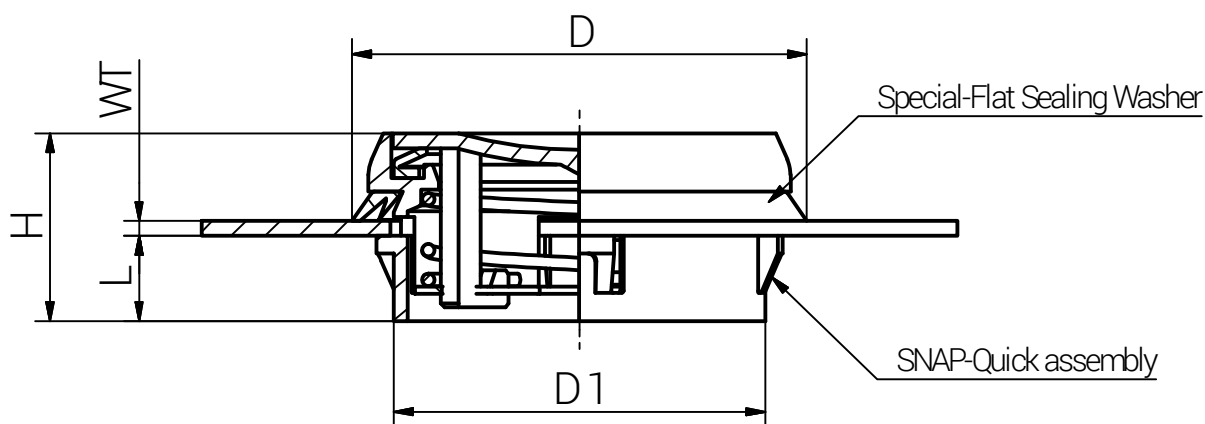


Mounting Instruction

Non Threaded Enclosure with Special-Flat Sealing Washer



Step	Assembly Steps (The installation should only be done by a qualified electrician who are trained in the installation of cable glands..)
1	Mount the safety pressure balance element using the quick-assembly body on the counterpart (e.g. electronic enclosure).

Article	Size	Opening Pressure	Gas Flow after opening at 500 mbar	Enclosure Wall Thickness WT	D	D1	L	H
RAL9005		mbar	l/h	(mm)	(mm)	(mm)	(mm)	(mm)
50ARSD1002	Ø 50	100±50	900.000	2.00±0.10	58.4	49.4	11.25	24.0



RST Rabe-System-Technik und Vertriebs-GmbH
 Otto-Lilienthal-Strasse 19
 49134 Wallenhorst
 ☎ +49 5407 8766-0
 ☎ +49 5407 8766-99
 ✉ info@rst.eu

Unless otherwise specified on the drawing:
 Metric Thread = EN 60423
 PG Thread = DIN 40430
 NPT Thread = ANSI B1.20.1
 Tolerance: DIN ISO 2768-m
 All dimensions in mm

Abusively use, in particular reproduction and dissemination to third parties is not permitted. You can be punished by civil law. Technical changes are reserved.

				Date	Name	<h1>ARSD</h1>		
			Draw.	05.07.2022	SL			
			Appr.	05.07.2022	KH			
			Norm		1:1			
			Scale:					
			Material:	Polyamide 66 (GF)		Drawing-Nr.:	50ARSD1002_EZM_TD_Englisch	
							1	of 1
							A4	
Status	Modification	Date	Name	Z:\inventor\Montageanleitung\Druckausgleichselemente\Sicherheits-DAE\50ARSD1002\Sicherheits-DAE-50ARSD1002_EZM_TD_Englisch.idw				V11

Please note that the above representation is just a dimension illustration.