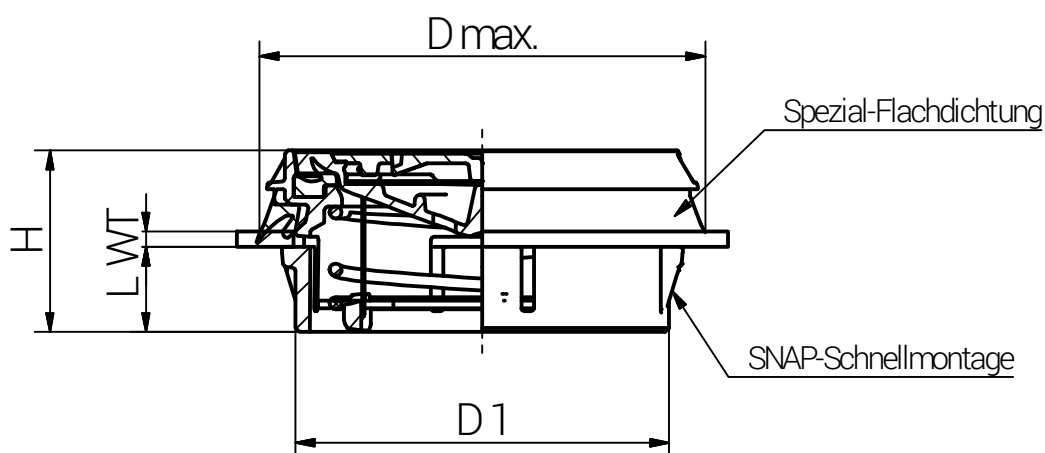


# Montageanleitung

## Durchgangsbohrung mit Spezial-Flachdichtung



Schritt	Montageschritt (Die Installation sollte nur von einem qualifizierten Elektriker durchgeführt werden, der in der Installation von Kabelverschraubungen geschult ist.)
1	Sicherheits-Druckausgleichselement mit dem Schnellmontage-Anschlussstutzen am Gegenstück montieren (z.B. Elektronikgehäuse).

Artikel	Größe	Luftdurchlass (geschlossen) l/h @ P= 70 mbar	Wassereintrittsdruck mbar	Öffnungsdruck mbar	Gasdurchlass nach Öffnung bei 500 mbar l/h	Gehäusewand WT (mm)	D max. (mm)	D1 (mm)	L (mm)	H (mm)
RAL9005 50ARVSD1002	Ø 50	400	> 200	100±50	900.000	2.00±0.10	65,0	49,4	11.25	24.0



RST Fab-System-Technik und Vertriebs-GmbH  
 Otto-Lilienthal-Strasse 19  
 49134 Wallenhorst  
 ☎ +49 5407 8766-0  
 ☎ +49 5407 8766-99  
 ✉ info@rst.eu

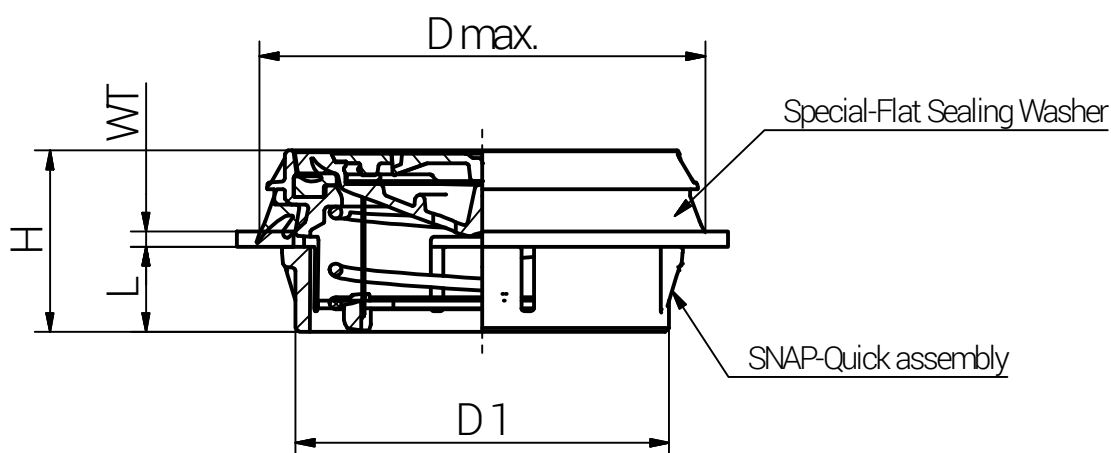
Unless otherwise specified on the drawing:  
 Metric Thread = EN 60423  
 PG Thread = DIN 40430  
 NPT Thread = ANSI B1.20.1  
 Tolerance: DIN ISO 2768-m  
 All dimensions in mm

Abusively use, in particular reproduction and dissemination to third parties is not permitted. You can be punished by civil law. Technical changes are reserved.

				Date	Name	ARVSD					
				Draw.	07.12.2023						SL
				Appr.	07.12.2023						KH
				Norm							1:1
				Scale:							
				Material:		Drawing-Nr.:				1	of 1
				Polyamid 66 (GF)		50ARVSD1002_EZM_TD_German				A4	
A	AirFlow + Water Intr. Pressure	25.06.2024	SL								V7
Status	Modification	Date	Name	Z:\Inventor\Montageanleitung\Druckausgleichselemente\Sicherheits-DAE\50ARVSD1002\Sicherheits-DAE-50ARVSD1002_EZM_TD_German.idw							

# Mounting Instruction

## Non Threaded Enclosure with Special-Flat Sealing Washer



Step	Assembly Steps (The installation should only be done by a qualified electrician who are trained in the installation of cable glands..)
1	Mount the safety pressure balance element using the quick-assembly body on the counterpart (e.g. electronic enclosure).

Article	Size	Air Flow (closed) l/h @ P= 70 mbar	Water Intrusion Pressure mbar	Opening Pressure mbar	Gas Flow after opening at 500 mbar l/h	Enclosure Wall Thickness WT (mm)	D max. (mm)	D1 (mm)	L (mm)	H (mm)
RAL9005										
50ARVSD1002	Ø 50	400	> 200	100±50	900.000	2.00±0.10	65,0	49,4	11,25	24,0



RST Rabe-System-Technik und Vertriebs-GmbH  
 Otto-Lilienthal-Strasse 19  
 49134 Wallenhorst  
 ☎ +49 5407 8766-0  
 ☎ +49 5407 8766-99  
 ✉ info@rst.eu

Unless otherwise specified on the drawing:  
 Metric Thread = EN 60423  
 PG Thread = DIN 40430  
 NPT Thread = ANSI B1.20.1  
 Tolerance: DIN ISO 2768-m  
 All dimensions in mm

Abusively use, in particular reproduction and dissemination to third parties is not permitted. You can be punished by civil law. Technical changes are reserved.

				Date	Name	ARVSD					
				Draw.	07.12.2023						SL
				Appr.	07.12.2023						KH
				Norm							1:1
				Scale:							
				Material:		Drawing-Nr.:				1	of 1
				Polyamide 66 (GF)		50ARVSD1002_EZM_TD_Englisch					
A	Air Flow + Water Intr. Pressure	25.06.2024	SL								A4
Status	Modification	Date	Name	Z:\Inventor\Montageanleitung\Druckausgleichselemente\Sicherheits-DAE\50ARVSD1002\Sicherheits-DAE-50ARVSD1002_EZM_TD_Englisch.idw							V11

Please note that the above representation is just a dimension illustration.